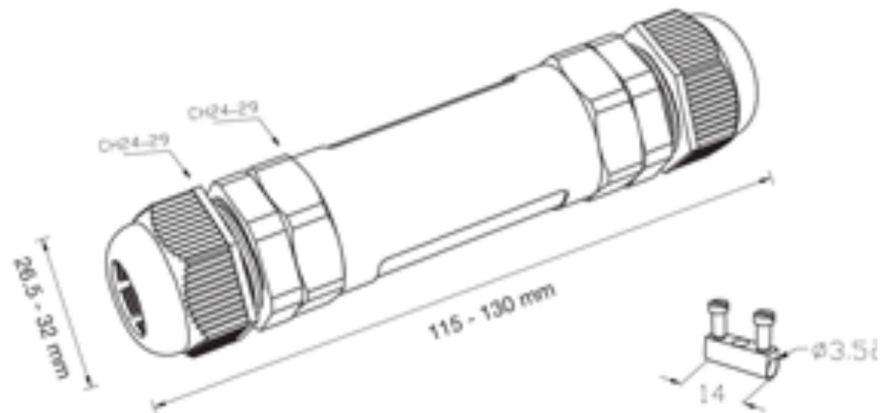



## CONNECTATUBE, SOL-2JB

- Tough Weatherproof Enclosure
- IP68 rated
- Allows easy and quick installation of SOLCO PYROELEC trace heating cables
- Very versatile and can be used to make Power, End, and Splice connections



**Technical specification:**

<b>Cable Entries</b>	2
<b>Body Material</b>	PA66 / TPE
<b>IP Rating</b>	68
<b>Minimum Temp. Rating °C</b>	-40
<b>Maximum Temp. Rating °C</b>	125
<b>Minimum Cable Diameter (mm)</b>	7
<b>Maximum Cable Diameter (mm)</b>	13.5
<b>Cable Termination System</b>	3 pole terminals, 32A, 450V.
<b>Comments</b>	This product comprises Junction Box + Terminal Block + Cable Glands. 

**INSTALLATION INSTRUCTIONS:**

1. Slide cable glands supplied back onto each power/heating cable
2. Terminate heating cable using appropriate SOLCO PYROELEC termination kit e.g. PTK-S, PTK-M
3. Affix the CONNECTATUBE body in a secure location OR to bracket supplied by Solco Pyroelec.
4. Connect each heater to appropriate point in the terminal block and screw down tightly using appropriate torque level. NOTE – the terminal block can be removed by sliding out of the tube for easy connection and replaced into the tube after connection.
5. Slide each gland forward and tighten using appropriate torque level.

The SOL-3JB is available in ‘HOT’ or ‘COLD’ applied termination kits to suit your installation application as follows:

**Order information:**

<b><u>Order Code:</u></b>	<b><u>Kit Type:</u></b>	<b><u>Applicable Heater:</u></b>	<b><u>Contents:</u></b>	<b><u>Application/Use:</u></b>
SOL-2JB-KT1	CONNECTATUBE Gland Kit	HSR, FBL, VSR, FBH, FBX, FBZ	1 x SOL-2JB CONNECTATUBE 1 x Power M25 gland & 2 x Heater M25 gland	No termination kit included
SOL-2JB-KT2	CONNECTATUBE Gland kit	HWS-R, HWS-P, HSR30, VSR50, FBH60	1 x SOL-2JB CONNECTATUBE 1 x Power M25 gland & 2 x Heater M25 gland	No termination kit included
SOL-2JBH1-KT1	CONNECTATUBE HOT Terminations & Glands Kit	HSR, FBL, VSR, FBH, FBX, FBZ	1 x SOL-2JB CONNECTATUBE 1 x Power M25 gland & 2 x Heater M25 gland 2 x Heatshrink Power Termination kit PTK-S 1 x Heatshrink End Termination kit ETK-S	POWER – Connect Power to 1 Heaters  SPLICE – Connect 1 Heater to 1 Heater
SOL-2JBH1-KT2	CONNECTATUBE HOT Terminations & Glands Kit	HWS-R, HWS-P, HSR30, VSR50, FBH60	1 x SOL-2JB CONNECTATUBE 1 x Power M25 gland & 2 x Heater M25 gland 2 x Heatshrink Power Termination kit PTK-S 1 x Heatshrink End Termination kit ETK-S	POWER – Connect Power to 1 Heaters  SPLICE – Connect 1 Heater to 1 Heater
SOL-2JBC1-KT1	CONNECTATUBE COLD Terminations & Glands Kit	HSR, FBL, VSR, FBH, FBX, FBZ	1 x SOL-2JB CONNECTATUBE 1 x Power M25 gland & 2 x Heater M25 gland 2 x Cold Applied Silicone Power Boot Termination kit PTK-M 1 x Cold Applied Silicone End Boot Termination kit ETK-M	POWER – Connect Power to 1 Heaters  SPLICE – Connect 1 Heater to 1 Heater
SOL-2JBC1-KT2	CONNECTATUBE COLD Terminations & Glands Kit	HWS-R, HWS-P, HSR30, VSR50, FBH60	1 x SOL-2JB CONNECTATUBE 1 x Power M25 gland & 2 x Heater M25 gland 2 x Cold Applied Silicone Power Boot Termination kit PTK-M 1 x Cold Applied Silicone End Boot Termination kit ETK-M	POWER – Connect Power to 1 Heaters  SPLICE – Connect 1 Heater to 1 Heater

Applicable pipe mounting bracket available separately: Model SOL-SS-BRP-3JB2JBHV.